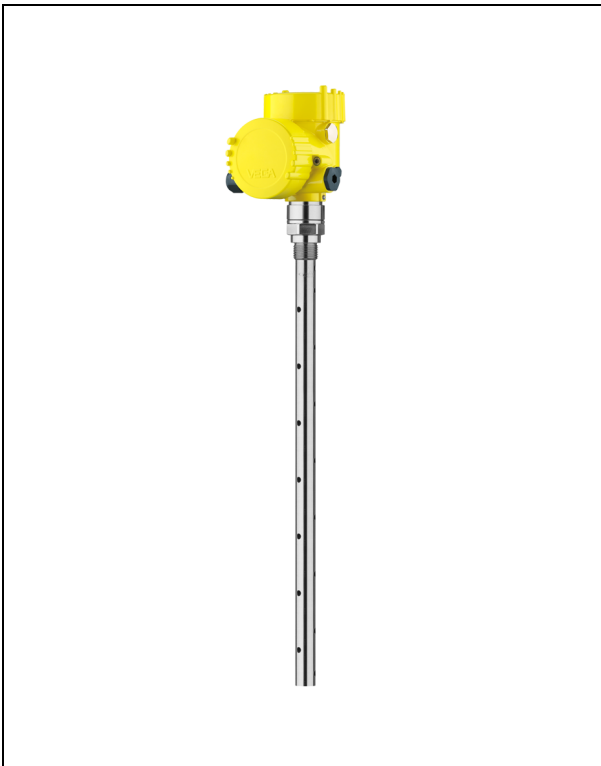


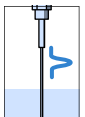
## Operating Instructions

### VEGAFLEX 65

4 ... 20 mA/HART - four-wire



Document ID:  
31846



Guided Microwave

## Contents

<b>1</b>	<b>About this document</b>	
1.1	Function . . . . .	4
1.2	Target group . . . . .	4
1.3	Symbolism used . . . . .	4
<b>2</b>	<b>For your safety</b>	
2.1	Authorised personnel . . . . .	5
2.2	Appropriate use . . . . .	5
2.3	Warning about misuse . . . . .	5
2.4	General safety instructions . . . . .	5
2.5	Safety label on the instrument . . . . .	6
2.6	CE conformity . . . . .	6
2.7	Fulfillment of NAMUR recommendations . . . . .	6
2.8	Safety instructions for Ex areas . . . . .	6
2.9	Environmental instructions . . . . .	6
<b>3</b>	<b>Product description</b>	
3.1	Structure . . . . .	7
3.2	Principle of operation . . . . .	8
3.3	Operation . . . . .	8
3.4	Packaging, transport and storage . . . . .	9
<b>4</b>	<b>Mounting</b>	
4.1	General instructions . . . . .	10
4.2	Instructions for installation . . . . .	11
<b>5</b>	<b>Connecting to power supply</b>	
5.1	Preparing the connection . . . . .	14
5.2	Connection procedure . . . . .	15
5.3	Wiring plan, double chamber housing . . . . .	16
<b>6</b>	<b>Set up with the indicating and adjustment module PLICSCOM</b>	
6.1	Short description . . . . .	19
6.2	Insert indicating and adjustment module . . . . .	19
6.3	Adjustment system . . . . .	21
6.4	Setup steps . . . . .	22
6.5	Menu schematic . . . . .	28
6.6	Saving the parameter adjustment data . . . . .	30
<b>7</b>	<b>Set up with PACTware and other adjustment programs</b>	
7.1	Connect the PC . . . . .	31
7.2	Parameter adjustment with PACTware . . . . .	32
7.3	Parameter adjustment with AMS™ and PDM . . . . .	33
7.4	Saving the parameter adjustment data . . . . .	33
<b>8</b>	<b>Maintenance and fault rectification</b>	
8.1	Maintenance . . . . .	34

8.2	Remove interferences . . . . .	34
8.3	Exchanging the electronics module . . . . .	35
8.4	Software update . . . . .	36
8.5	Instrument repair . . . . .	37
<b>9</b>	<b>Dismounting</b>	
9.1	Dismounting steps . . . . .	38
9.2	Disposal . . . . .	38
<b>10</b>	<b>Supplement</b>	
10.1	Technical data . . . . .	39
10.2	Dimensions . . . . .	45

### Supplementary documentation



#### Information:

Supplementary documents appropriate to the ordered version come with the delivery. You can find them listed in chapter "*Product description*".

### Instructions manuals for accessories and replacement parts



#### Tip:

To ensure reliable setup and operation of your VEGAFLEX 65, we offer accessories and replacement parts. The corresponding documentations are:

- 27720 - VEGADIS 61
- 30207 - Electronics module VEGAFLEX series 60
- 34296 - Protective cover
- 31088 - Flanges according to DIN-EN-ASME-JIS-GOST
- 30391 - Spacer

Editing status: 2012-03-19

# 1 About this document

## 1.1 Function

This operating instructions manual provides all the information you need for mounting, connection and setup as well as important instructions for maintenance and fault rectification. Please read this information before putting the instrument into operation and keep this manual accessible in the immediate vicinity of the device.

## 1.2 Target group

This operating instructions manual is directed to trained qualified personnel. The contents of this manual should be made available to these personnel and put into practice by them.

## 1.3 Symbolism used



### Information, tip, note

This symbol indicates helpful additional information.



**Caution:** If this warning is ignored, faults or malfunctions can result.

**Warning:** If this warning is ignored, injury to persons and/or serious damage to the instrument can result.

**Danger:** If this warning is ignored, serious injury to persons and/or destruction of the instrument can result.



### Ex applications

This symbol indicates special instructions for Ex applications.



### List

The dot set in front indicates a list with no implied sequence.



### Action

This arrow indicates a single action.



### Sequence

Numbers set in front indicate successive steps in a procedure.

## 2 For your safety

### 2.1 Authorised personnel

All operations described in this operating instructions manual must be carried out only by trained specialist personnel authorised by the plant operator.

During work on and with the device the required personal protective equipment must always be worn.

### 2.2 Appropriate use

VEGAFLEX 65 is a sensor for continuous level measurement.

You can find detailed information on the application range in chapter "*Product description*".

Operational reliability is ensured only if the instrument is properly used according to the specifications in the operating instructions manual as well as possible supplementary instructions.

For safety and warranty reasons, any invasive work on the device beyond that described in the operating instructions manual may be carried out only by personnel authorised by the manufacturer. Arbitrary conversions or modifications are explicitly forbidden.

### 2.3 Warning about misuse

Inappropriate or incorrect use of the instrument can give rise to application-specific hazards, e.g. vessel overfill or damage to system components through incorrect mounting or adjustment.

### 2.4 General safety instructions

This is a high-tech instrument requiring the strict observance of standard regulations and guidelines. The user must take note of the safety instructions in this operating instructions manual, the country-specific installation standards as well as all prevailing safety regulations and accident prevention rules.

The instrument must only be operated in a technically flawless and reliable condition. The operator is responsible for trouble-free operation of the instrument.

During the entire duration of use, the user is obliged to determine the compliance of the necessary occupational safety measures with the current valid rules and regulations and also take note of new regulations.

## 2.5 Safety label on the instrument

The safety approval markings and safety tips on the device must be observed.

## 2.6 CE conformity

This device fulfills the legal requirements of the applicable EC guidelines. By attaching the CE mark, VEGA provides a confirmation of successful testing. You can find the CE conformity declaration in the download area of "[www.vega.com](http://www.vega.com)".

## 2.7 Fulfillment of NAMUR recommendations

The device fulfills the requirements of the applicable NAMUR recommendations.

## 2.8 Safety instructions for Ex areas

Please note the Ex-specific safety information for installation and operation in Ex areas. These safety instructions are part of the operating instructions manual and come with the Ex-approved instruments.

## 2.9 Environmental instructions

Protection of the environment is one of our most important duties. That is why we have introduced an environment management system with the goal of continuously improving company environmental protection. The environment management system is certified according to DIN EN ISO 14001.

Please help us fulfil this obligation by observing the environmental instructions in this manual:

- Chapter "*Packaging, transport and storage*"
- Chapter "*Disposal*"

## 3 Product description

### 3.1 Structure

#### Scope of delivery

The scope of delivery encompasses:

- Level sensor VEGAFLEX 65
- Documentation
  - this operating instructions manual
  - Safety Manual 31339 "VEGAFLEX series 60 - 4 ... 20 mA/HART" (optional)
  - Operating instructions manual 27835 "Indicating and adjustment module PLICSCOM" (optional)
  - Supplementary instructions manual "Plug connector for continuously measuring sensors" (optional)
  - Ex-specific "Safety instructions" (with Ex versions)
  - if necessary, further certificates

#### Constituent parts

The VEGAFLEX 65 consists of the components:

- Process fitting with probe
- Housing with electronics
- Housing cover, optionally available with indicating and adjustment module

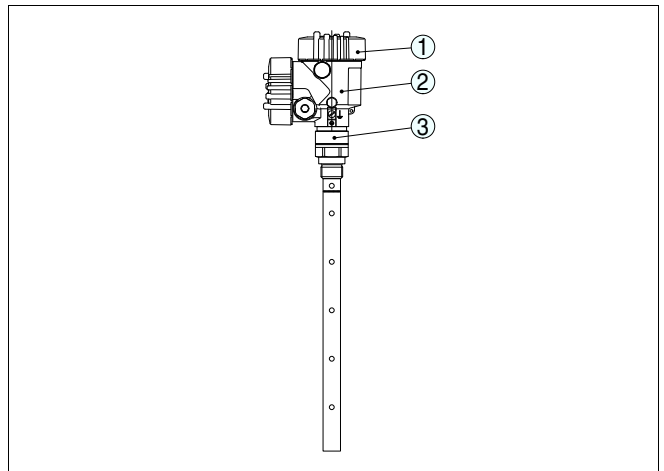


Fig. 1: VEGAFLEX 65

- 1 Housing cover with integrated indicating and adjustment module (optional)
- 2 Housing with electronics
- 3 Process fitting

#### Type label

The type label contains the most important data for identification and use of the instrument:

- Article number

- Serial number
- Technical data
- Article numbers, documentation
- SIL identification (with SIL rating ex works)

With the serial number, you can access the delivery data of the instrument via [www.vega.com](http://www.vega.com), "VEGA Tools" and "serial number search". In addition to the type label outside, you can also find the serial number on the inside of the instrument.

### 3.2 Principle of operation

#### Application range

VEGAFLEX 65 is a level sensor with pipe probe for continuous level measurement.

It is designed for industrial use in all areas of process technology and can be used in liquids.

#### Functional principle

High frequency microwave pulses are guided along a steel rope or a rod. Upon reaching the product surface, the microwave pulses are reflected. The running time is evaluated by the instrument and outputted as distance.

#### Voltage supply

Four-wire electronics with separate power supply.

The supply voltage range can differ depending on the instrument version.

The data for power supply are specified in chapter "*Technical data*".

Measured value transmission is carried out via the 4 ... 20 mA/HART output separate from power supply.

The background lighting of the indicating and adjustment module is powered by the sensor. A certain level of operating voltage is required for this. You can find the exact voltage specifications in chapter "*Technical data*".

### 3.3 Operation

The instrument can be adjusted with the following adjustment media:

- With indicating and adjustment module
- with the suitable VEGA DTM in conjunction with an adjustment software according to the FDT/DTM standard, e.g. PACTware and PC
- with manufacturer-specific adjustment programs AMS™ or PDM
- With a HART handheld



### 3.4 Packaging, transport and storage

<b>Packaging</b>	<p>Your instrument was protected by packaging during transport. Its capacity to handle normal loads during transport is assured by a test according to DIN EN 24180.</p> <p>The packaging of standard instruments consists of environment-friendly, recyclable cardboard. For special versions, PE foam or PE foil is also used. Dispose of the packaging material via specialised recycling companies.</p>
<b>Transport</b>	<p>Transport must be carried out under consideration of the notes on the transport packaging. Nonobservance of these instructions can cause damage to the device.</p>
<b>Transport inspection</b>	<p>The delivery must be checked for completeness and possible transit damage immediately at receipt. Ascertained transit damage or concealed defects must be appropriately dealt with.</p>
<b>Storage</b>	<p>Up to the time of installation, the packages must be left closed and stored according to the orientation and storage markings on the outside.</p> <p>Unless otherwise indicated, the packages must be stored only under the following conditions:</p> <ul style="list-style-type: none"><li>● Not in the open</li><li>● Dry and dust free</li><li>● Not exposed to corrosive media</li><li>● Protected against solar radiation</li><li>● Avoiding mechanical shock and vibration</li></ul>
<b>Storage and transport temperature</b>	<ul style="list-style-type: none"><li>● Storage and transport temperature see chapter "<i>Supplement - Technical data - Ambient conditions</i>"</li><li>● Relative humidity 20 ... 85 %</li></ul>

## 4 Mounting

### 4.1 General instructions

**Suitability for the process conditions**

Make sure that all parts of the instrument exposed to the process, in particular the sensor element, process seal and process fitting, are suitable for the existing process conditions. These include above all the process pressure, process temperature as well as the chemical properties of the medium.

You can find the specifications in chapter "*Technical data*" and on the type label.

**Mounting position**

Select an installation position you can easily reach for mounting and connecting as well as later retrofitting of an indicating and adjustment module. The housing can be rotated by 330° without the use of any tools. You can also install the indicating and adjustment module in four different positions (each displaced by 90°).

**Welding work**

Before beginning the welding work, remove the electronics module from the sensor. By doing this, you avoid damage to the electronics through inductive coupling.

**Handling**

With threaded versions, the housing must not be used to screw in the instrument! Applying tightening forces on the housing can damage its internal parts.

Use the hexagon for screwing in.

**Moisture**

Use the recommended cables (see chapter "*Connecting to power supply*") and tighten the cable gland.

You can give your instrument additional protection against moisture penetration by leading the connection cable downward in front of the cable entry. Rain and condensation water can thus drain off. This applies mainly to outdoor mounting as well as installation in areas where high humidity is expected (e.g. through cleaning processes) or on cooled or heated vessels.

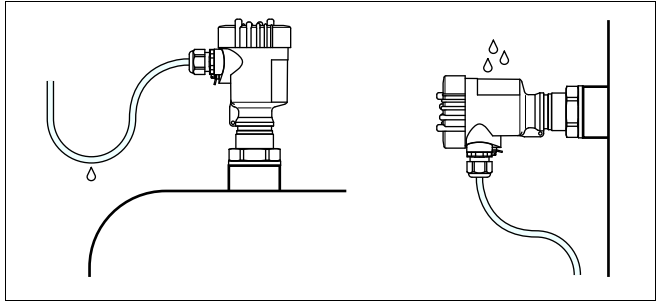


Fig. 2: Measures against moisture penetration

### Measuring range

The reference plane for the measuring range of the sensors is the seal surface of the thread.

Keep in mind that a min. distance must be maintained below the reference plane and possibly also at the end of the probe - measurement in these areas is not possible. These min. distances are listed in chapter "Technical data" in the "Supplement". Keep in mind for the adjustment that the default setting for the measuring range refers to water.

### Pressure

The process fitting must be sealed if there is gauge or low pressure in the vessel. Before use, check if the seal material is resistant against the measured product and the process temperature.

The max. permissible pressure is specified in chapter "Technical data" or on the type label of the sensor.

## 4.2 Instructions for installation

### Mounting position

Mount VEGAFLEX 65 in such a way that the probe does not touch any installations or the vessel wall during installation.

In vessels with conical bottom it can be advantageous to mount the sensor in the center of the vessel, as measurement is then possible down to the lowest point of the vessel bottom.

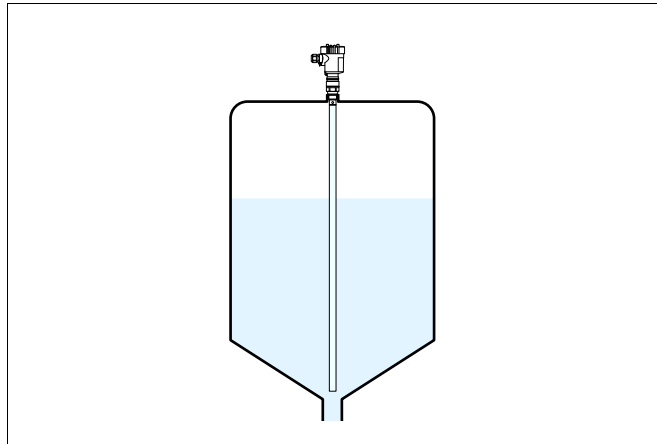


Fig. 3: Vessel with conical bottom

### Inflowing medium

Make sure that the probe is not subjected to strong lateral forces. Mount VEGAFLEX 65 at a position in the vessel where no disturbances, e.g. from filling openings, agitators, etc., can occur.

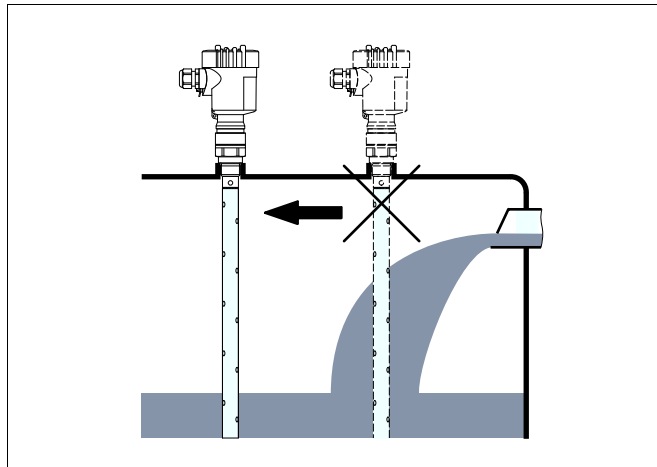


Fig. 4: Lateral load

Extreme vibration caused by the system, e.g. due to agitators or turbulence in the vessel from inflowing medium, can cause the coax probe of VEGAFLEX 65 to vibrate in resonance. With coax probes of

more than 1 m (3.281 in) length, you must secure the probe by fastening a suitable isolated brace or guy directly above the end of the rod.

## 5 Connecting to power supply

### 5.1 Preparing the connection

#### Note safety instructions

Always keep in mind the following safety instructions:

- Connect only in the complete absence of line voltage
- If overvoltage surges are expected, overvoltage arresters should be installed



#### Tip:

We recommend using VEGA overvoltage arresters B63-48 and ÜSB 62-36G.X.

#### Take note of safety instructions for Ex applications Voltage supply



In hazardous areas you must take note of the respective regulations, conformity and type approval certificates of the sensors and power supply units.

Supply voltage and current output are carried on separate two-wire connection cables if reliable separation is required. The supply voltage range can differ depending on the instrument version.

The data for power supply are specified in chapter "*Technical data*".

The standard version can be operated with an earth-connected current output, the Exd version must be operated with a floating output.

This instrument is designed in protection class I. To maintain this protection class, it is absolutely necessary that the ground conductor be connected to the internal ground terminal. Take note of the general installation regulations.

Always connect the instrument to vessel ground (potential equalisation) or in case of plastic vessels to the next ground potential. For this purpose there is a ground terminal on the side of the instrument housing.

#### Connection cable

For power supply, an approved installation cable with PE conductor is required.

The 4 ... 20 mA current output is connected with standard two-wire cable without screen. If electromagnetic interference is expected which is above the test values of EN 61326 for industrial areas, screened cable should be used.

Use cable with round cross-section. A cable outer diameter of 5 ... 9 mm (0.2 ... 0.35 in) ensures the seal effect of the cable gland. If you are using cable with a different diameter or cross-section, exchange the seal or use a suitable cable gland.

#### Cable screening and grounding

If screened cable is necessary, connect the cable screen on both ends to ground potential. In the sensor, the screen must be connected directly to the internal ground terminal. The ground terminal on the outside of the housing must be connected to the potential equalisation (low impedance).

If potential equalisation currents are expected, the connection on the processing side must be made via a ceramic capacitor (e. g. 1 nF, 1500 V). The low frequency potential equalisation currents are thus suppressed, but the protective effect against high frequency interference signals remains.

**Warning:**

Within galvanic plants as well as vessels with cathodic corrosion protection there are considerable potential differences. Considerably equalisation currents can be caused via the cable screen when the screen is earthed on both ends. To avoid this, the cable screen must only be connected to ground potential on one side of the switching cabinet in such applications. The cable screen must **not** be connected to the internal ground terminal in the sensor and the outer ground terminal on the housing **not** to the potential equalisation!

**Information:**

The metallic parts of the instrument (transmitter, process fitting, etc.) are conductively connected with the inner and outer ground terminal on the housing. This connection exists either as a direct metallic contact or via the shielding of the special connection cable on instruments with external electronics. You can find specifications on the potential connections within the instrument in chapter "*Technical data*".

**Installation with Ex applications**

Take note of the corresponding installation regulations for Ex applications. In particular, make sure that no potential equalisation currents flow over the cable screen. In case of grounding on both sides this can be achieved by the use of a capacitor or a separate potential equalisation.

With the Exd version, the minus side of the signal output is galvanically connected to ground via protective diodes. When connecting the instrument to a grounded PLC, equalising currents can flow in case of potential differences which can cause malfunctions. Make sure that there is sufficient potential equalisation from the system side or realise the connection via switching amplifier.

## 5.2 Connection procedure

Proceed as follows:

- 1 Unscrew the housing cover
- 2 Loosen compression nut of the cable entry
- 3 Remove approx. 10 cm (4 in) of the cable mantle (current output), strip approx. 1 cm (0.4 in) insulation from the ends of the individual wires
- 4 Insert the cable into the sensor through the cable entry
- 5 Lift the opening levers of the terminals with a screwdriver

- 6 Insert the wire ends into the open terminals according to the wiring plan
  - 7 Press down the opening levers of the terminals, you will hear the terminal spring closing
  - 8 Check the hold of the wires in the terminals by lightly pulling on them
  - 9 Connect the screen to the internal ground terminal, connect the outer ground terminal to potential equalisation
  - 10 Tighten the compression nut of the cable entry. The seal ring must completely encircle the cable
  - 11 Connect the lead cable for power supply in the same way according to the wiring plan, in addition connect the ground conductor to the inner ground terminal.
  - 12 Screw the housing cover back on
- The electrical connection is finished.

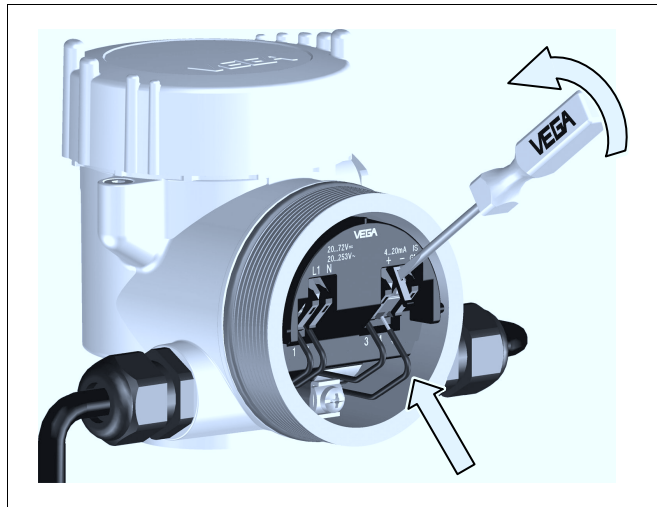


Fig. 5: Connection steps 5 and 6

### 5.3 Wiring plan, double chamber housing



The following illustrations apply to the non-Ex as well as to the Ex-d version.



**Electronics compartment**

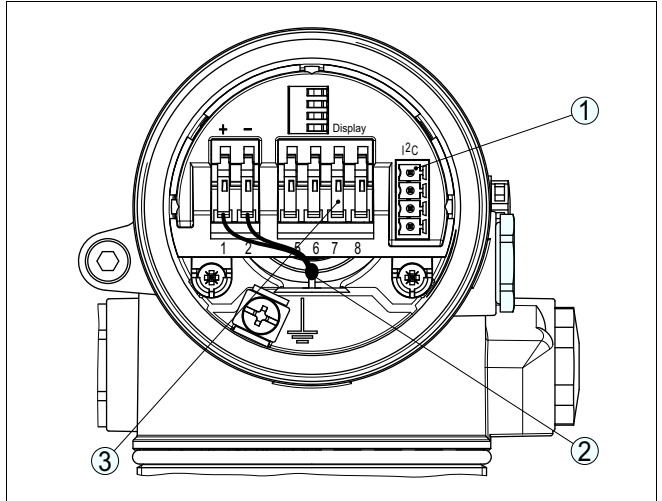


Fig. 6: Electronics compartment, double chamber housing

- 1 Plug connector for VEGACONNECT (I<sup>2</sup>C interface)
- 2 Internal connection cable to the connection compartment
- 3 Terminals for VEGADIS 61

**Connection compartment**

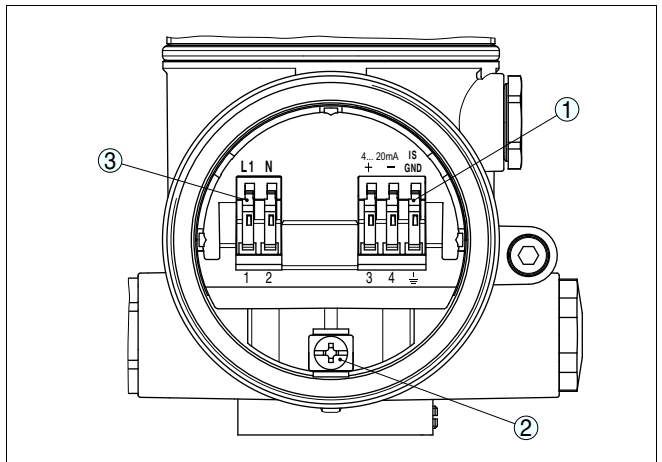


Fig. 7: Connection compartment double chamber housing

- 1 Spring-loaded terminals for signal output
- 2 Ground terminal for connection of the ground conductor and screen
- 3 Spring-loaded terminals for voltage supply

## Wiring plan

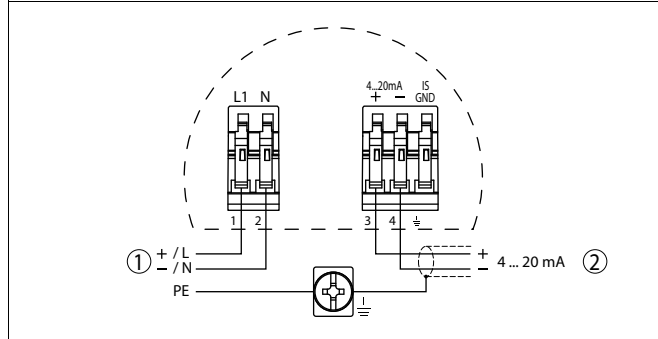


Fig. 8: Wiring plan, double chamber housing

- 1 Voltage supply
- 2 Signal output

## 6 Set up with the indicating and adjustment module PLICSCOM

### 6.1 Short description

#### Function/Configuration

The indicating and adjustment module is used for measured value display, adjustment and diagnosis. It can be mounted in the following housing versions and instruments:

- All sensors of the plics<sup>®</sup> instrument family, in the single as well as in the double chamber housing (optionally in the electronics or connection compartment)
- External indicating and adjustment unit VEGADIS 61

From a hardware version ...- 01 or higher of the indicating and adjustment module as well as of the corresponding sensor, an integrated backlight can be switched on via the adjustment menu. The hardware version is stated on the type label of the indicating and adjustment module or the sensor electronics.



#### Note:

You can find detailed information on the adjustment in the operating instructions manual "*Indicating and adjustment module*".

### 6.2 Insert indicating and adjustment module

#### Mount/Dismount indicating and adjustment module

The indicating and adjustment module can be inserted into the sensor and removed again at any time. It is not necessary to interrupt the power supply.

Proceed as follows:

- 1 Unscrew the housing cover
  - 2 Place the indicating and adjustment module in the desired position on the electronics (you can choose any one of four different positions - each displaced by 90°)
  - 3 Press the indicating and adjustment module onto the electronics and turn it to the right until it snaps in.
  - 4 Screw housing cover with inspection window tightly back on
- Removal is carried out in reverse order.

The indicating and adjustment module is powered by the sensor, an additional connection is not necessary.

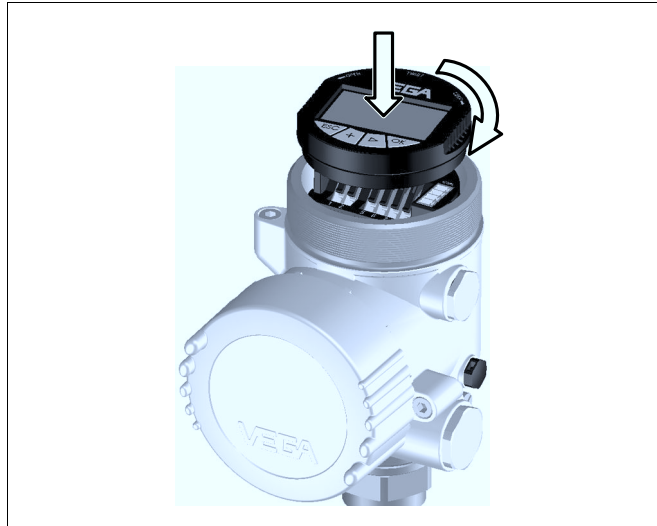


Fig. 9: Insert indicating and adjustment module



**Note:**

If you intend to retrofit the instrument with an indicating and adjustment module for continuous measured value indication, a higher cover with an inspection glass is required.

### 6.3 Adjustment system

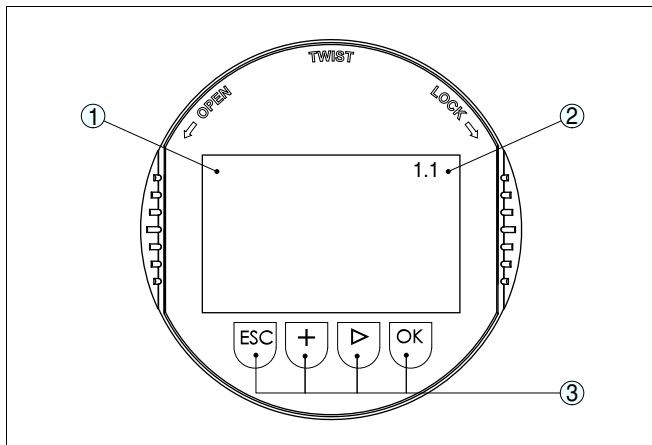


Fig. 10: Indicating and adjustment elements

- 1 LC display
- 2 Indication of the menu item number
- 3 Adjustment keys

#### Key functions

- **[OK]** key:
  - Move to the menu overview
  - Confirm selected menu
  - Edit parameter
  - Save value
- **[->]** key to select:
  - Menu change
  - Select list entry
  - Select editing position
- **[+]** key:
  - Change value of the parameter
- **[ESC]** key:
  - interrupt input
  - Return to higher-ranking menu

#### Adjustment system

The sensor is adjusted via the four keys of the indicating and adjustment module. The LC display indicates the individual menu items. The functions of the individual keys are shown in the above illustration. Approx. 10 minutes after the last pressing of a key, an automatic reset to measured value indication is triggered. Any values not confirmed with **[OK]** will not be saved.

## 6.4 Setup steps

### Switch-on phase

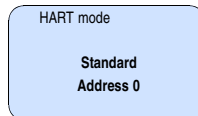
After connecting VEGAFLEX 65 to power supply or after a voltage recurrence, the instrument carries out a self-check for approx. 30 seconds:

- Internal check of the electronics
- Indication of the instrument type, the firmware as well as the sensor TAGs (sensor designation)
- Output signal jumps briefly (approx. 10 seconds) to the set fault current

Then the corresponding current is outputted to the cable (the value corresponds to the actual level as well as the settings already carried out, e.g. factory setting).

### Address setting HART-Multidrop

In HART-Multidrop mode (several sensors on one input) the address must be set before continuing with the parameter adjustment. You will find a detailed description in the operating instructions manual "*Indicating and adjustment module*" or in the online help of PACTware or DTM.



### Parameter adjustment

As VEGAFLEX 65 is a distance measuring instrument, the distance from the sensor to the product surface is measured. To have the real product level displayed, an allocation of the measured distance to the percentage height must be made. To carry out this adjustment, the distance is entered with full and empty vessel. If these values are not known, an adjustment with the distance values, e.g. 10 % and 90 % is also possible. Starting point for these distance specifications is always the seal surface of the thread or flange. With these settings, the real level is calculated. Furthermore the operating range of the sensor is limited from maximum to the required range.

The real product level during this adjustment is not important, because the min./max. adjustment is always carried out without changing the product level. These settings can be made ahead of time without the instrument having to be installed.

In the main menu item "*Basic adjustment*", the individual submenu items should be selected one after the other and provided with the correct parameter values.



#### Caution:

If there is a separation of different liquids in the vessel, e.g. by condensation, VEGAFLEX 65 will always detect the medium with the higher dielectric figure ( $\epsilon_r$ ).

Keep in mind that interfaces can cause faulty measurements.

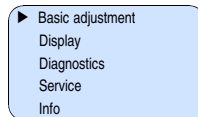
If you want to measure the total height of both liquids reliably, please contact our service department or use an instrument specially designed for interface measurement.

Start your parameter adjustment with the following menu items of the basic adjustment:

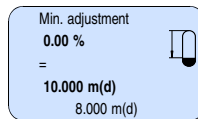
**Carry out min. adjustment**

Proceed as follows:

- 1 Move from the measured value display to the main menu by pushing **[OK]**.



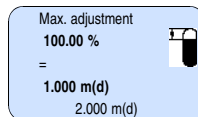
- 2 Select the menu item "Basic adjustment" with **[->]** and confirm with **[OK]**. Now the menu item "Min. adjustment" is displayed.



- 3 Prepare the % value for editing with **[OK]** and set the cursor to the requested position with **[->]**. Set the requested percentage value with **[+]** and save with **[OK]**. The cursor jumps now to the distance value.
- 4 Enter the suitable distance value in m for the empty vessel (e.g. distance from the sensor to the vessel bottom) corresponding to the percentage value.
- 5 Save the settings with **[OK]** and move to "Max. adjustment" with **[->]**.

**Carry out max. adjustment**

Proceed as follows:

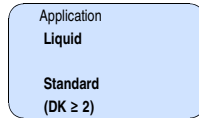


- 1 Prepare the % value for editing with **[OK]** and set the cursor to the requested position with **[->]**. Set the requested percentage value with **[+]** and save with **[OK]**. The cursor jumps now to the distance value.
- 2 Enter the appropriate distance value in m (corresponding to the percentage value) for the full vessel. Keep in mind that the max. level must lie below the dead band.
- 3 Save the settings with **[OK]**.

## Application

Each product has different reflective properties. In addition, there are various interfering factors which have to be taken into account: agitated product surfaces and foam generation (with liquids); dust generation, material cones and echoes from the vessel wall (with solids). To adapt the sensor to these different conditions, you should first select in this menu item under "*Medium*" either "*Liquid*" or "*Solid*".

With coax versions, this menu item must be set to "*Liquid*".



Measured products have different reflective properties depending on their respective permittivity (dielectric constant). That's why there is an additional selection option.

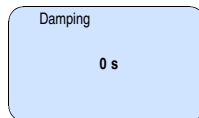
Under "*Sensitivity*" you can select "*Standard (DK ≥ 2)*" or "*Increased sensitivity (DK < 2)*".

Through this the sensor is optimally adapted to the product and measurement reliability, particularly in products with poor reflective properties, is considerably increased.

Enter the requested parameters via the appropriate keys, save your settings and jump to the next menu item with the [*->*] key.

## Damping

To suppress fluctuations in the measured value display, e. g. caused by an agitated product surface, a damping can be set. This time can be between 0 and 999 seconds. Keep in mind that the reaction time of the entire measurement will then be longer and the sensor will react to measured value changes with a delay. In general, a period of a few seconds is sufficient to smooth the measured value display.

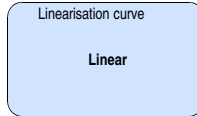


Enter the requested parameters via the appropriate keys, save your settings and jump to the next menu item with the [*->*] key.

## Linearisation curve

A linearization is necessary for all vessels in which the vessel volume does not increase linearly with the level - e.g. in a horizontal cylindrical or spherical tank - and the indication or output of the volume is required. Corresponding linearization curves are preprogrammed for these vessels. They represent the correlation between the level percentage and vessel volume. By activating the appropriate curve, the volume percentage of the vessel is displayed correctly. If the volume should not be displayed in percent but e.g. in l or kg, a scaling can be also set in the menu item "*Display*".

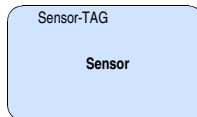




Enter the requested parameters via the appropriate keys, save your settings and jump to the next menu item with the **[->]** key.

### Sensor-TAG

In this menu item you can enter an unambiguous designation for the sensor, e.g. the measurement loop name or the tank or product designation. In digital systems and in the documentation of larger plants, a singular designation should be entered for exact identification of individual measuring points.



With this menu item, the Basic adjustment is finished and you can now jump to the main menu with the **[ESC]** key.

### Copy sensor data

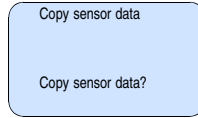
This function enables reading out parameter adjustment data as well as writing parameter adjustment data into the sensor via the indicating and adjustment module. A description of the function is available in the operating instructions manual "*Indicating and adjustment module*".

The following data are read out or written with this function:

- Measured value presentation
- Adjustment
- Medium
- Vessel form
- Damping
- Linearisation curve
- Sensor-TAG
- Displayed value
- Display unit
- Scaling
- Current output
- Unit of measurement
- Language
- Sensitivity

The following safety-relevant data are **not** read out or written:

- HART mode
- PIN
- SIL
- Sensor length/Sensor type
- False signal suppression



## Reset

### Basic adjustment

If the function "Reset" is carried out, the sensor resets the values of the following menu items to the reset values (see chart):<sup>1)</sup>

The following values will be reset:

Function	Reset value
Max. adjustment	Distance, upper dead zone
Min. adjustment - Rod/Coax version	Distance, supplied sensor length
Min. adjustment - Cable version	Distance, lower dead zone
Damping $t_i$	0 s
Linearisation	Linear
Sensor-TAG	Sensor
Display	Distance
Current output - characteristics	4 ... 20 mA
Current output - max. current	20 mA
Current output - min. current	4 mA
Current output - failure	< 3.6 mA
Application - rod/coax version	Liquid
Application - Cable version	Bulk solid

The values of the following menu items are *not* reset to the reset values (see chart) with "Reset":

Menu item	Reset value
Lighting	No reset
Language	No reset
SIL	No reset
HART mode	No reset

### Factory setting

Like basic adjustment, but in addition, special parameters are reset to default values.<sup>2)</sup>

### Peak value

The min. and max. values are reset to the actual value.

<sup>1)</sup> Sensor-specific basic adjustment.

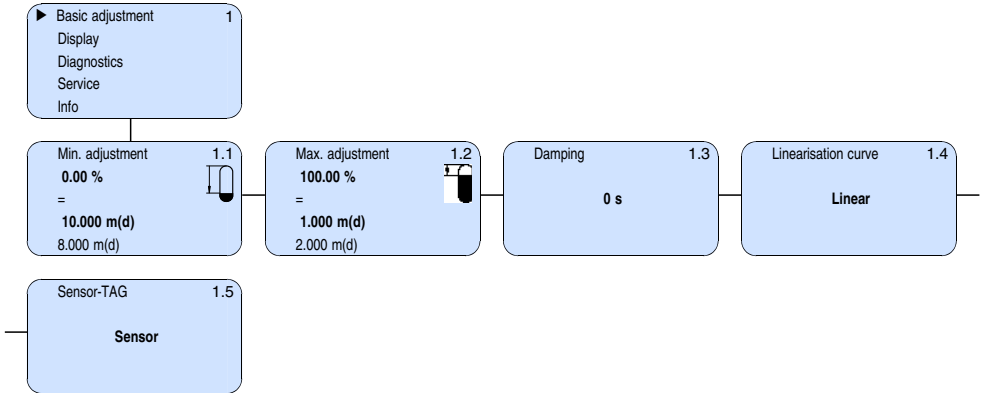
<sup>2)</sup> Special parameters are parameters which are set customer-specifically on the service level with the adjustment software PACTware.

**Optional settings**

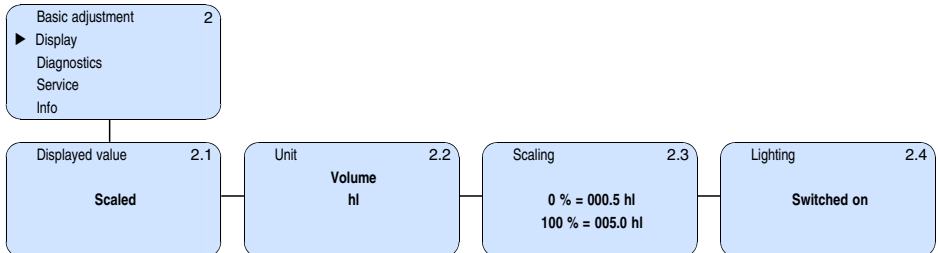
Additional adjustment and diagnosis options such as e.g. scaling, simulation or trend curve presentation are shown in the following menu schematic. You will find a detailed description of these menu items in the operating instructions manual "*Indicating and adjustment module*".

## 6.5 Menu schematic

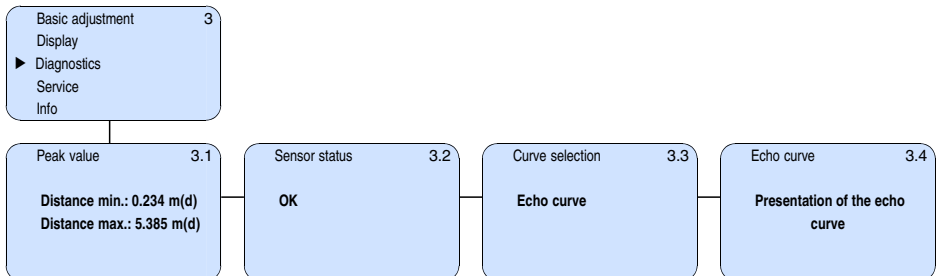
### Basic adjustment



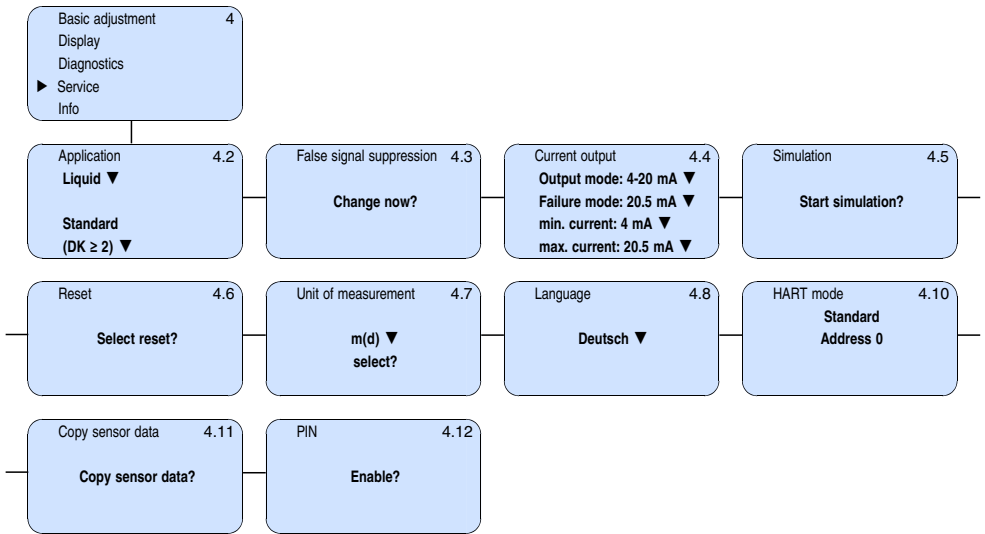
### Display



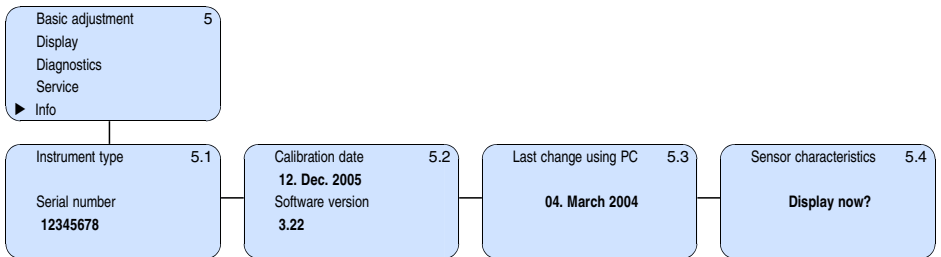
### Diagnostics



**Service**



**Info**



## 6.6 Saving the parameter adjustment data

We recommend noting the adjusted data, e.g. in this operating instructions manual, and archiving them afterwards. They are thus available for multiple use or service purposes.

If VEGAFLEX 65 is equipped with an indicating and adjustment module, the most important data can be read out of the sensor into the indicating and adjustment module. The procedure is described in the operating instructions manual "*Indicating and adjustment module*" in the menu item "*Copy sensor data*". The data remain there permanently even if the sensor power supply fails.

If it is necessary to exchange the sensor, the indicating and adjustment module is inserted into the replacement instrument and the data are written into the sensor under the menu item "*Copy sensor data*".

## 7 Set up with PACTware and other adjustment programs

### 7.1 Connect the PC

**VEGACONNECT directly on the sensor**

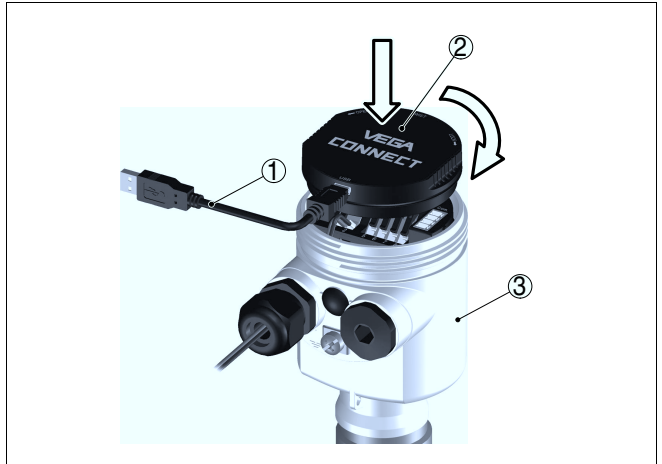


Fig. 11: Connection of the PC via VEGACONNECT directly to the sensor

- 1 USB cable to the PC
- 2 VEGACONNECT
- 3 Sensor

**VEGACONNECT externally**

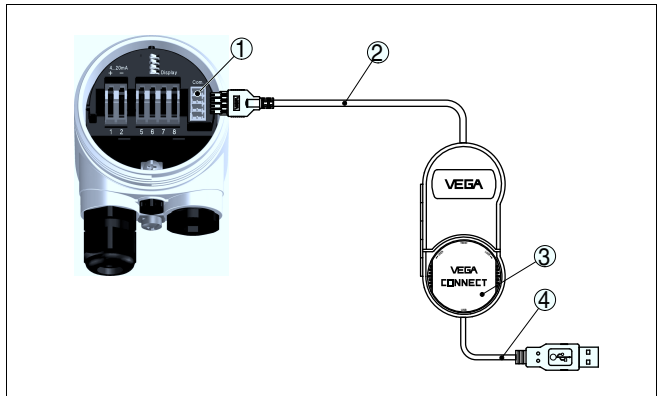


Fig. 12: Connection via VEGACONNECT externally

- 1 I<sup>2</sup>C bus (com.) interface on the sensor
- 2 I<sup>2</sup>C connection cable of VEGACONNECT
- 3 VEGACONNECT
- 4 USB cable to the PC

Necessary components:

- VEGAFLEX 65
- PC with PACTware and suitable VEGA DTM
- VEGACONNECT
- Power supply unit or processing system

### Connection via HART

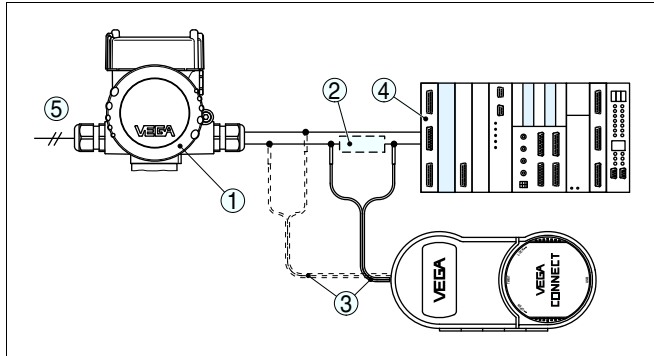


Fig. 13: Connecting the PC via HART to the signal cable

- 1 VEGAFLEX 65
- 2 HART resistance 250  $\Omega$  (optional depending on processing)
- 3 Connection cable with 2 mm pins and terminals
- 4 Processing system/PLC/Voltage supply

Necessary components:

- VEGAFLEX 65
- PC with PACTware and suitable VEGA DTM
- VEGACONNECT 4
- HART resistance approx. 250  $\Omega$
- Power supply unit or processing system



#### Note:

With power supply units with integrated HART resistance (internal resistance approx. 250  $\Omega$ ), an additional external resistance is not necessary. This applies, e. g. to the VEGA instruments VEGATRENN 149A, VEGADIS 371, VEGAMET 381. Common Ex separators are also usually equipped with a sufficient current limitation resistance. In such cases, VEGACONNECT 4 can be connected parallel to the 4 ... 20 mA cable.

## 7.2 Parameter adjustment with PACTware

Further setup steps are described in the operating instructions manual "DTM Collection/PACTware" attached to each CD and which can also be downloaded from our homepage. A detailed description is available in the online help of PACTware and the VEGA DTMs.



**Note:**

Keep in mind that for setup of VEGAFLEX 65, DTM-Collection in the actual version must be used.

All currently available VEGA DTMs are included as a DTM Collection on a CD. They can be purchased for a token fee from the responsible VEGA agency. In addition, the actual PACTware version is also available on this CD.

In addition, this DTM Collection incl. the basic version of PACTware can be downloaded free of charge from the Internet. Move via [www.vega.com](http://www.vega.com) and "Downloads" to "Software".

### 7.3 Parameter adjustment with AMS™ and PDM

For VEGA sensors, instrument descriptions for the adjustment programs AMS™ and PDM are available as DD or EDD. The instrument descriptions are already implemented in the current versions of AMS™ and PDM.

For older versions of AMS™ and PDM, a free-of-charge download is available via Internet. Move via [www.vega.com](http://www.vega.com) and "Downloads" to "Software".

### 7.4 Saving the parameter adjustment data

It is recommended to document or save the parameter adjustment data. That way they are available for multiple use or service purposes.

The VEGA DTM Collection and PACTware in the licensed, professional version provide suitable tools for systematic project documentation and storage.

## 8 Maintenance and fault rectification

### 8.1 Maintenance

If the instrument is used properly, no special maintenance is required in normal operation.

### 8.2 Remove interferences

#### Reaction when malfunctions occur

The operator of the system is responsible for taking suitable measures to rectify faults.

#### Failure reasons

VEGAFLEX 65 offers maximum reliability. Nevertheless, faults can occur during operation. These may be caused by the following, e.g.:

- Sensor
- Process
- Voltage supply
- Signal processing

#### Fault rectification

The first measures to be taken are to check the output signals as well as to evaluate the error messages via the indicating and adjustment module. The procedure is described below. Further comprehensive diagnostics can be carried out on a PC with the software PACTware and the suitable DTM. In many cases, the causes can be determined and the faults rectified this way.

#### 24 hour service hotline

Should these measures not be successful, please call in urgent cases the VEGA service hotline under the phone no. **+49 1805 858550**.

The hotline is available to you 7 days a week round-the-clock. Since we offer this service world-wide, the support is only available in the English language. The service is free of charge, only the standard telephone costs will be charged.

#### Check the 4 ... 20 mA signal

Connect a handmultimeter in the suitable measuring range according to the wiring plan. The following table describes possible errors in the current signal and helps to remove them:

Error	Cause	Rectification
4 ... 20 mA signal not stable	Level fluctuations	Set damping via the indicating and adjustment module
4 ... 20 mA signal missing	Electrical connection faulty	Check connection according to chapter " <i>Connection steps</i> " and if necessary, correct according to chapter " <i>Wiring plan</i> "
	Voltage supply missing	Check cables for breaks; repair if necessary

Error	Cause	Rectification
	Operating voltage too low or load resistance too high	Check, adapt if necessary
Current signal greater than 22 mA or less than 3.6 mA	Electronics module in the sensor defective	Exchange the instrument or send it in for repair



In Ex applications, the regulations for the wiring of intrinsically safe circuits must be observed.

**Error messages via the indicating and adjustment module**

The indicating and adjustment modules indicates faults via error codes and text messages. The following table describes the error codes with status according to NE 107 and gives information on the causes of failure and their removal:

Status according to NE 107	Error code	Text message	Cause/Rectification
Failure	E013	no measured value available	Sensor in boot phase
		no measured value available	Sensor does not find an echo, e.g. due to faulty installation or wrong parameter adjustment
		no measured value available	Wrong sensor length entered
	E017	Adjustment span too small	Adjustment not within the specification. Carry out the adjustment again, increasing the distance between min. and max. adjustment
	E036	No operable software	Failed or interrupted software update/Repeat software update
	E042	Hardware error, electronics defective	Exchange the instrument or send it in for repair
	E043	Hardware error, electronics defective	Exchange the instrument or send it in for repair

**Reaction after fault rectification**

Depending on the reason for the fault and the measures taken, the steps described in chapter "Set up" may have to be carried out again.

**8.3 Exchanging the electronics module**

If the electronics module is defective, it can be replaced by the user.



In Ex applications only one instrument and one electronics module with respective Ex approval may be used.

If there is no electronics module available on site, one can be ordered from the VEGA agency serving you.

#### Sensor serial number

The new electronics module must be loaded with the settings of the sensor. These are the options:

- At the factory by VEGA
- Or on site by the user

In both cases, the sensor serial number is necessary. The serial numbers are stated on the type label of the instrument, inside the housing or on the delivery note.



#### Information:

When loading on site, first of all the order data must be downloaded from the Internet (see operating instructions manual "*Electronics module*").

#### Assignment

The electronics modules are adapted to the respective sensor and distinguish also in the signal output or power supply.

#### 4 ... 20 mA/HART four-wire

Electronics module FX-E.60V suitable for VEGAFLEX 61, 62, 63 - 4 ... 20 mA/HART four-wire:

- FX-E.60VX (X = without approvals)
- FX-E.60VA (A = approval DA according to product list)
- FX-E.60VC (C = approvals DX, EX, GX according to product list)

## 8.4 Software update

The software version of VEGAFLEX 65 can be determined as follows:

- on the type label of the electronics
- via the indicating and adjustment module
- via PACTware

You can view all software histories on our website [www.vega.com](http://www.vega.com). Make use of this advantage and get registered for update information via e-mail.

The following components are required to update the sensor software:

- Sensor
- Voltage supply
- VEGACONNECT
- PC with PACTware
- Current sensor software as file

- Load sensor software to PC** At "[www.vega.com/downloads](http://www.vega.com/downloads)" go to "Software". Select under "plics sensors and instruments", "Firmware updates" the respective instrument series and software version. Load the zip file via the right mouse key with "Save target as" e.g. on the desktop of your PC. Move with the right mouse key to the folder and select "Extract all". Save the extracted files, for example on the desktop.
- Prepare update** Connect the signal conditioning instrument to power supply and provide the connection from the PC to the instrument via the interface adapter. Start PACTware and go via the menu "Project" to the VEGA project assistant. Select "USB" and "Set instruments online". Activate the project assistant with "Start". The assistant establishes the connection automatically and opens the parameter adjustment window "Sensor # online parameter adjustment". Connect this parameter adjustment window before you carry out further steps.
- Load software into sensor** Select with the right mouse key the sensor in the project and go to "Additional function". Then click to "Software update". The window "Sensor # software update" opens. PACTware checks now the sensor data and displays the actual hardware and software version of the sensor. This takes approximately 60 s.
- Push the button "Update software" and select the previously extracted hex file. Then the software update can be started. The additional files are installed automatically. Depending on the sensor, this procedure lasts up to 1 h. Then the message appears "Software update successfully executed".

## 8.5 Instrument repair

If a repair is necessary, please proceed as follows:

You can download a return form (23 KB) from our homepage at [www.vega.com](http://www.vega.com) under: "Downloads - Forms and certificates - Repair form".

By doing this you help us carry out the repair quickly and without having to call back for needed information.

- Print and fill out one form per instrument
- Clean the instrument and pack it damage-proof
- Attach the completed form and, if need be, also a safety data sheet outside on the packaging
- Please ask the agency serving you for the address of your return shipment. You can find the respective agency on our website [www.vega.com](http://www.vega.com) under: "Company - VEGA worldwide"

## 9 Dismounting

### 9.1 Dismounting steps

**Warning:**

Before dismantling, be aware of dangerous process conditions such as e.g. pressure in the vessel, high temperatures, corrosive or toxic products etc.

Take note of chapters "*Mounting*" and "*Connecting to power supply*" and carry out the listed steps in reverse order.

### 9.2 Disposal

The instrument consists of materials which can be recycled by specialised recycling companies. We use recyclable materials and have designed the electronics to be easily separable.

**WEEE directive 2002/96/EG**

This instrument is not subject to the WEEE directive 2002/96/EG and the respective national laws. Pass the instrument directly on to a specialised recycling company and do not use the municipal collecting points. These may be used only for privately used products according to the WEEE directive.

Correct disposal avoids negative effects on humans and the environment and ensures recycling of useful raw materials.

Materials: see chapter "*Technical data*"

If you have no way to dispose of the old instrument properly, please contact us concerning return and disposal.

## 10 Supplement

### 10.1 Technical data

#### General data

---

Material 316L corresponds to 1.4404 or 1.4435

#### Materials, wetted parts

- Process fitting 316L and TFM PCTFE +25 %GF, Hastelloy C22 (2.4602) and TFM PCTFE +25 %GF
- Process seal on the instrument side (tube leadthrough) FKM (SHS FPM 70C3 GLT), FFKM (Kalrez 6375), EPDM (A+P 75.5/KW75F), silicone FEP coated (A+P FEP-O-SEAL)
- Process seal On site (instruments with thread: Klingsil C-4400 is attached)
- Tube:  $\varnothing$  21.3 mm (0.839 in) 316L, Hastelloy C22 (2.4602)

#### Materials, non-wetted parts

- Aluminium die-casting housing Aluminium die-casting AlSi10Mg, powder-coated - basis: Polyester
- Stainless steel housing - precision casting 316L
- Seal between housing and housing cover NBR (stainless steel housing, investment casting), silicone (Aluminium housing)
- Inspection window in housing cover (optional) Polycarbonate
- Ground terminal 316L

#### Process fittings

- Pipe thread, cylindrical (DIN 3852-A) G $\frac{3}{4}$  A, G1 A, G1 $\frac{1}{2}$  A
- American pipe thread, conical (ASME B1.20.1)  $\frac{3}{4}$  NPT, 1 NPT, 1 $\frac{1}{2}$  NPT
- Flanges DIN from DN 25, ANSI from 1"

#### Weight

- Instrument weight (depending on process fitting) approx. 0.8 ... 8 kg (0.176 ... 17.64 lbs)
- Tube:  $\varnothing$  21.3 mm (0.839 in) approx. 920 g/m (9.9 oz/ft)

#### Probe length (L)

- Tube:  $\varnothing$  21.3 mm (0.839 in) up to 6 m (19.69 ft)

#### Trimming accuracy - tube

- Lateral load - Tube:  $\varnothing$  21.3 mm (0.839 in) < 1 mm (0.039 in)

Lateral load - Tube:  $\varnothing$  21.3 mm (0.839 in) 60 Nm (44 lbf ft)

---

#### Input variable

---

- Measured variable Level of liquids
- Min. dielectric figure of the medium  $\epsilon_r > 1.4$

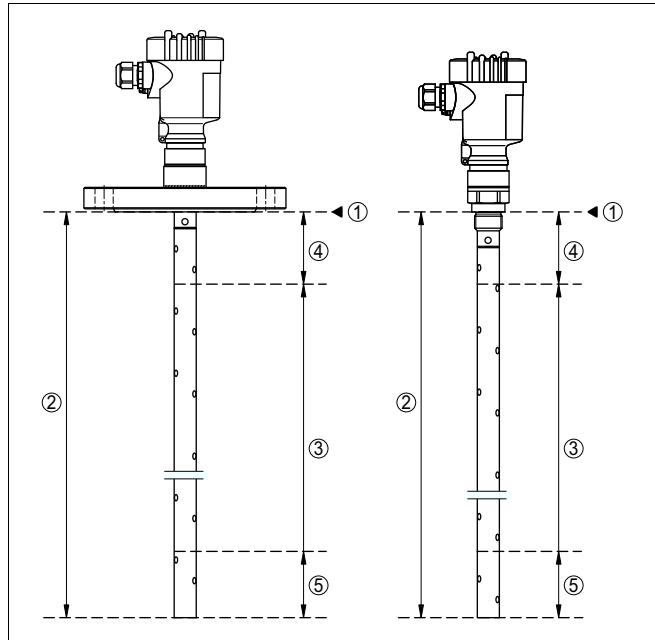


Fig. 14: Measuring ranges of VEGAFLEX 65

- 1 Reference plane
- 2 Probe length L
- 3 Measuring range (default setting refers to the measuring range in water)
- 4 Upper dead band (see diagrams under Accuracy - grey section)
- 5 Lower dead band (see diagrams under Accuracy - grey section)

### Output variable

Output signal	4 ... 20 mA/HART (active)
Cycle time	min. 1 s (dependent on the parameter setting)
Signal resolution	1.6 $\mu$ A
Failure signal current output (adjustable)	mA value unchanged 20.5 mA, 22 mA, < 3.6 mA (adjustable)
Max. output current	22 mA
Load	< 500 $\Omega$ <sup>3)</sup>
Damping (63 % of the input variable)	0 ... 999 s, adjustable
Fulfilled NAMUR recommendations	NE 43
HART output values	
– 1. HART value (Primary Value)	Distance to the level
– 2. HART value (Secondary Value)	Distance to the level - scaled (for example hl, %)

<sup>3)</sup> With inductive load ohmic share min. 25  $\Omega$ /mH.



Resolution, digital > 1 mm (0.039 in)

**Accuracy (according to DIN EN 60770-1)**

Process reference conditions according to DIN EN 61298-1

- Temperature +18 ... +30 °C (+64 ... +86 °F)
- Relative humidity 45 ... 75 %
- Air pressure +860 ... +1060 mbar/+86 ... +106 kPa (+12.5 ... +15.4 psig)

Installation reference conditions

- Min. distance to installations > 500 mm (19.69 in)
- Vessel metallic,  $\varnothing$  1 m (3.281 ft), centric installation, process fitting flush with the vessel ceiling
- Medium Water/Oil (dielectric figure ~2.0)
- Installation Probe end does not touch the vessel bottom

Sensor parameter adjustment

Gating out of false signals carried out

Deviation

see diagrams

Depending on the installation conditions, there can be deviations which can be rectified with an adaptation of the adjustment or a change of the measured value offset in the DTM service mode.

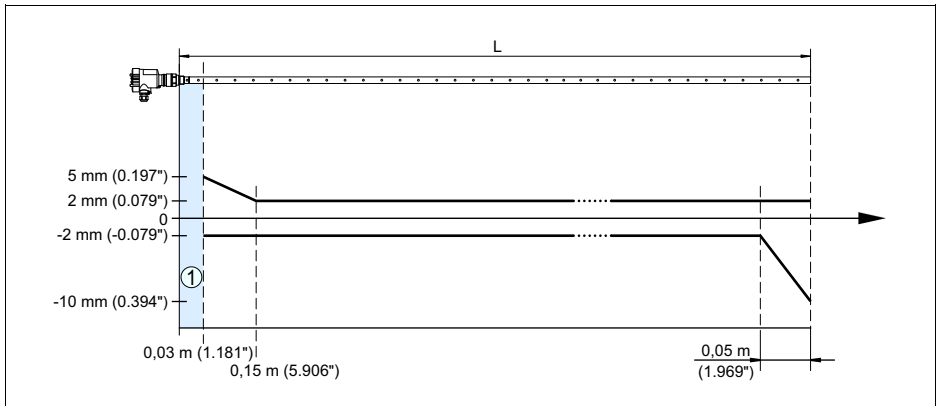


Fig. 15: Deviation VEGAFLEX 65 in coax version in water

- 1 Dead zone - no measurement possible in this area
- L Probe length

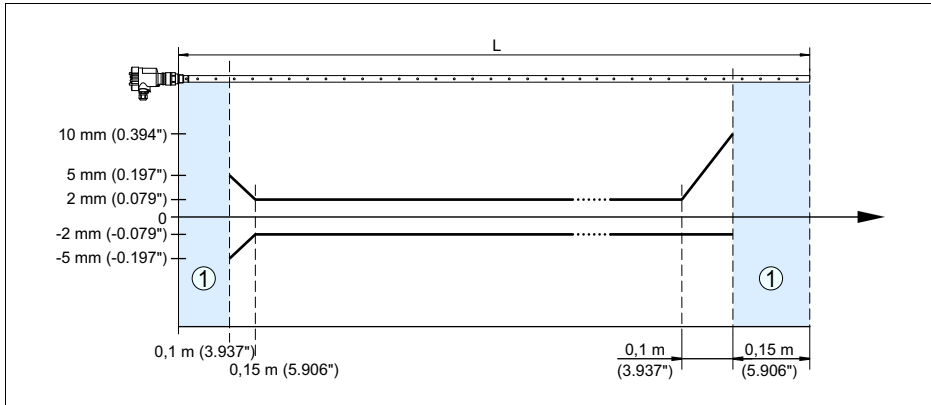


Fig. 16: Deviation VEGAFLEX 65 in coax version in oil

- 1 Dead zone - no measurement possible in this area  
L Probe length

### Influence of the ambient temperature to the sensor electronics

Temperature drift	0.03 %/10 K relating to the max. measuring range or max. 0.3 %
Temperature drift - Digital output	3 mm/10 K relating to the max. measuring range or max. 10 mm

### Ambient conditions

Ambient, storage and transport temperature	-40 ... +70 °C (-40 ... +158 °F)
--	----------------------------------

### Process conditions

Process pressure	-1 ... +40 bar/-100 ... +4000 kPa (-14.5 ... +580 psig), depending on the process fitting
------------------	---

Process temperature (thread or flange temperature)

- FKM (Viton)	-40 ... +150 °C (-40 ... +302 °F)
- EPDM	-40 ... +150 °C (-40 ... +302 °F)
- FFKM (Kalrez 6375)	-20 ... +150 °C (-4 ... +302 °F)

The measurement error from the process conditions is in the specified pressure and temperature range of below 1 %.

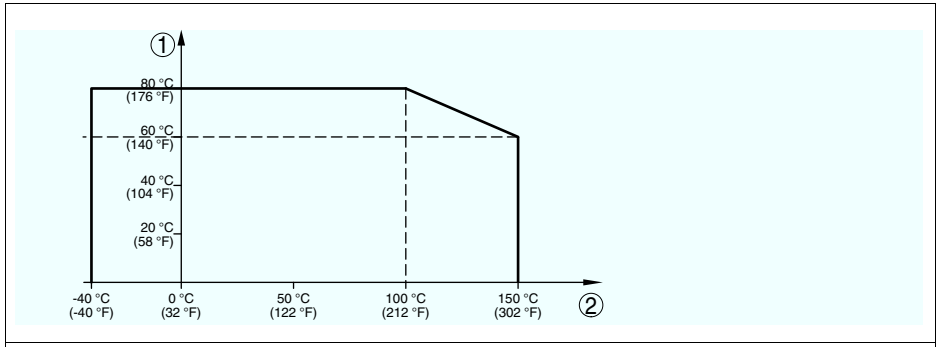


Fig. 17: Ambient temperature - Process temperature

- 1 Ambient temperature
- 2 Process temperature (depending on the seal material)

**Electromechanical data - version IP 66/IP 67**

Cable entry

- Double chamber housing
  - 1 x cable gland M20 x 1.5 (cable: ø 5 ... 9 mm), 1 x blind stopper M20 x 1.5; plug M12 x 1 for VEGADIS 61 (optional)
  - or:
  - 1 x closing cap ½ NPT, 1 x blind stopper ½ NPT, plug M12 x 1 for VEGADIS 61 (optional)
  - or:
  - 1 x plug (depending on the version), 1 x blind stopper M20 x 1.5; plug M12 x 1 for VEGADIS 61 (optional)

Spring-loaded terminals for wire cross-section < 2.5 mm<sup>2</sup> (AWG 14)

**Indicating and adjustment module**

Voltage supply and data transmission	through the sensor
Indication	LC display in dot matrix
Adjustment elements	4 keys
Protection rating	
- unassembled	IP 20
- mounted into the sensor without cover	IP 40
Materials	
- Housing	ABS
- Inspection window	Polyester foil

---

**Voltage supply**


---

Operating voltage

– Non-Ex and Ex-d instrument 20 ... 72 V DC, 20 ... 253 V AC, 50/60 Hz

Max. power consumption 4 VA; 2.1 W

---

**Electrical protective measures**


---

Protection rating IP 66/IP 67

Overvoltage category III

Protection class I

---

**Functional safety (SIL)**


---

Functional safety is already activated on instruments with SIL qualification ex factory. On instruments without SIL qualification ex factory, the functional safety must be activated by the user via the indicating and adjustment module or via PACTware for applications according to SIL.

Functional safety according to IEC 61508-4

- Single channel architecture (1oo1D) up to SIL2
- double channel diversitary redundant architecture (1oo2D) up to SIL3

You can find detailed information in the supplied Safety Manual of the instrument series or under "[www.vega.com](http://www.vega.com)", "*Downloads*", "*Approvals*".

---

**Approvals**


---

Instruments with approvals can have different technical data depending on the version.

That's why the associated approval documents have to be noted with these instruments. They are part of the delivery or can be downloaded under [www.vega.com](http://www.vega.com) via "*VEGA Tools*" and "*serial number search*" as well as via "*Downloads*" and "*Approvals*".

## 10.2 Dimensions

The following dimensional drawings represent only an extract of the possible versions. Detailed dimensional drawings can be downloaded on [www.vega.com](http://www.vega.com) under "Downloads" and "Drawings".

### Housing

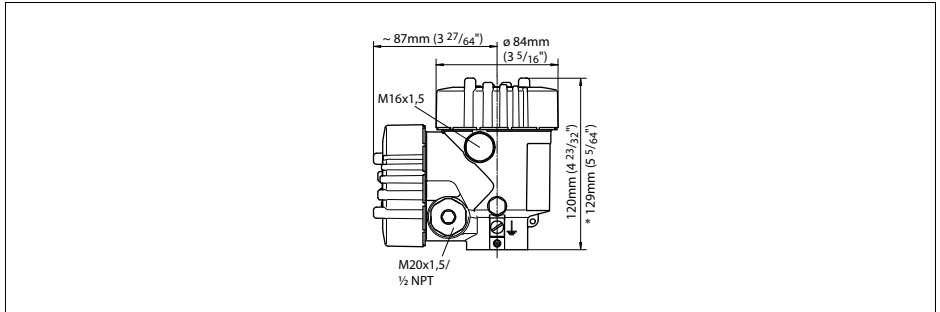


Fig. 18: Double chamber housing (with integrated indicating and adjustment module the housing is 9 mm/0.35 in higher)

## VEGAFLEX 65, threaded version

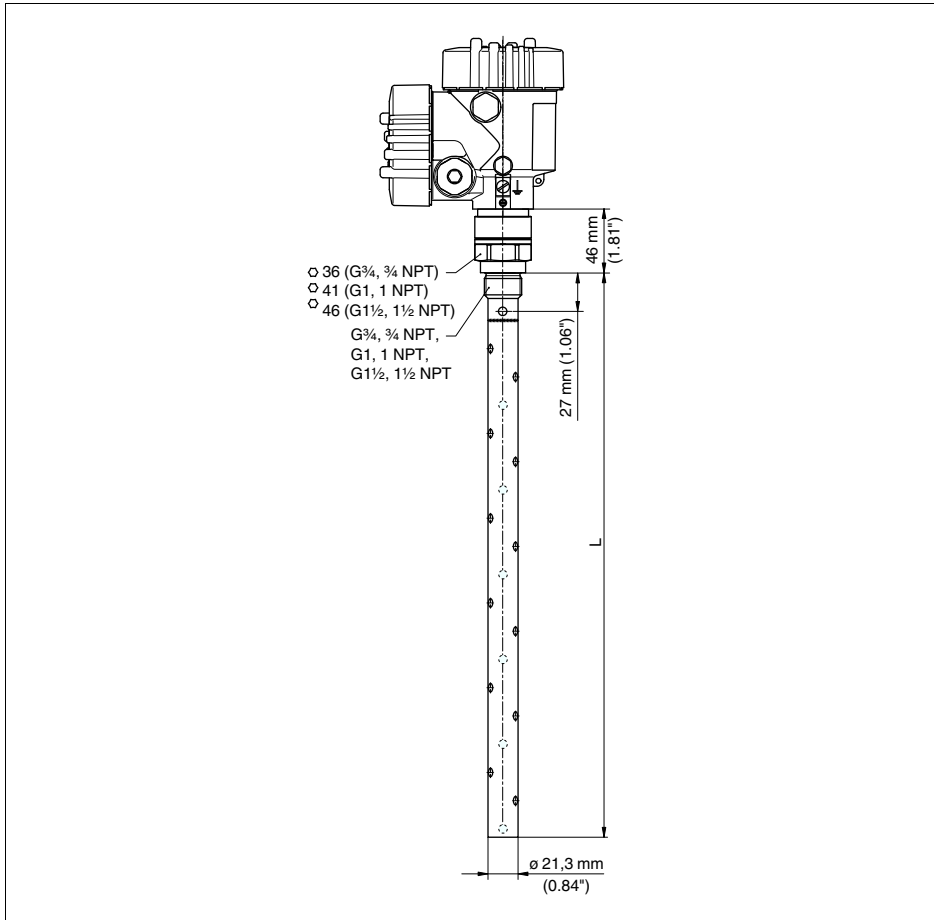


Fig. 19: VEGAFLEX 65

L Sensor length, see chapter "Technical data"

VEGAFLEX 65, flange version

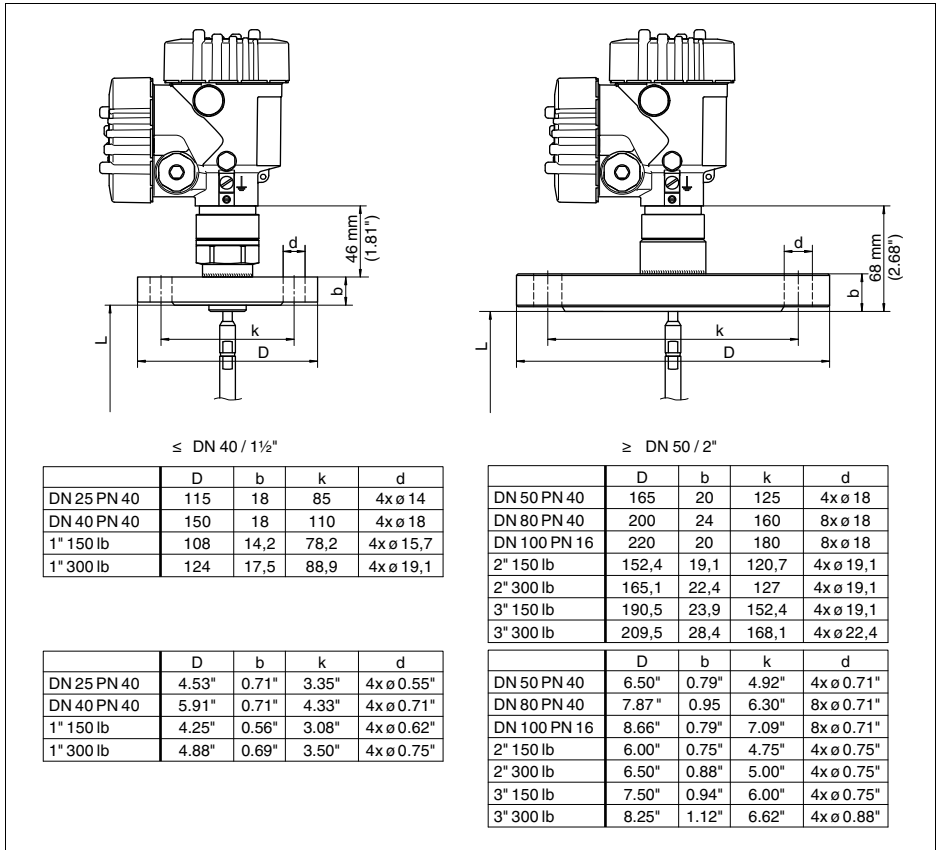


Fig. 20: VEGAFLEX 65, flange version

L Sensor length, see chapter "Technical data"

### 10.3 Industrial property rights

VEGA product lines are global protected by industrial property rights.  
Further information see <http://www.vega.com>.

Only in U.S.A.: Further information see patent label at the sensor housing.

VEGA Produktfamilien sind weltweit geschützt durch gewerbliche Schutzrechte.

Nähere Informationen unter <http://www.vega.com>.

Les lignes de produits VEGA sont globalement protégées par des droits de propriété intellectuelle.

Pour plus d'informations, on pourra se référer au site <http://www.vega.com>.

VEGA líneas de productos están protegidas por los derechos en el campo de la propiedad industrial.

Para mayor información revise la pagina web <http://www.vega.com>.

Линии продукции фирмы ВЕГА защищаются по всему миру правами на интеллектуальную собственность.

Дальнейшую информацию смотрите на сайте <http://www.vega.com>.

VEGA系列产品在全球享有知识产权保护。

进一步信息请参见网站<<http://www.vega.com>>。

### 10.4 Trademark

All the brands as well as trade and company names used are property of their lawful proprietor/originator.











Printing date:

VEGA Grieshaber KG  
Am Hohenstein 113  
77761 Schiltach  
Germany  
Phone +49 7836 50-0  
Fax +49 7836 50-201  
E-mail: [info.de@vega.com](mailto:info.de@vega.com)  
[www.vega.com](http://www.vega.com)



All statements concerning scope of delivery, application, practical use and operating conditions of the sensors and processing systems correspond to the information available at the time of printing.

© VEGA Grieshaber KG, Schiltach/Germany 2012